

# TRS-900 EXT



**TESMEC**  
**USA, INC.**

12520 East FM 917 • Alvarado, Texas 76009  
817.473.2233 • toll-free 800.851.5102 • fax 817.473.9742  
[www.tesmec.com](http://www.tesmec.com)



**European Office**

24050 Grassobbio (BG) Italy • via Zanica 17/0  
tel +39 035 423.2911 • fax +39 035 335.664  
[www.tesmec.it](http://www.tesmec.it)

# TESMEC TRS-900 EXT

## Chainsaw Specifications

### GENERAL

Weight: 6' Boom with 26" Cut - 45,000 lbs. (20,412 kg)  
 Ground Pressure: With 20" Track Pads - 10.2 PSI (.72 kg/sq cm)  
 Transport Length with Crumbshoe:  
 4' Boom: 318" (8.0M)  
 6' Boom: 344" (8.7M)  
 8' Boom: 372" (9.4M)  
 Transport Width:  
 Chainsaw Max Width over Conveyor: 98" (249 cm)  
 Chainsaw Max Width no Conveyor: 85" (216 cm)  
 Transport Height:  
 Chainsaw Max with Cab: 121" (307 cm)  
 Chainsaw Max no Cab: 88" (224 cm)

### STANDARD FEATURES

Creep Control: Automatically adjusts the crawler tracks to changes in digging conditions by sensing hydraulic digging pressures (Not controlled by engine alternator)  
 Automatic Stabilizers with Berm Scrapers: For vibration and shock load reduction in hard rock cutting  
 Engine doors with security locks  
 Instrument Panel Lockable Cover: Covers instrument panel, gauges and switches  
 Tool Box with locking door  
 Fuel and Hydraulic Tank: Aircraft quality locking Caps.  
 Pump Drive Gearbox, Fuel, and Hydraulic Tank: Pressurized with 5 PSI filtered breathers.  
 Flywheel Gearboxes: Shaved, helical gearing, case hardened for extreme shock ability.  
 Vibration Isolator Mounts: Used on engine, radiator, oil cooler, and silencer.

### ENGINE

Model: Cummins 6CTA 8.3-260, Turbocharged and Aftercooled  
 Number of Cylinders: 6 in-line  
 Maximum # Load RPM: 2,354  
 Maximum Gross Horsepower at no load: 260 (194 kW)

Cooling Medium: Liquid  
 Cooling Rating: Adequate for 120° F ambient air temperature @ 8000 ft. altitude.  
 Air Cleaner: Dry Type, 2 stage with precleaner  
 Oil Filter: Full Flow Canister  
 Fuel Filter: Primary & Secondary  
 Electrical System: Engine: 24V Controls: 12V  
 Fuel Tank Capacity: 118 Gallons (446.6 L)  
 Fuel Consumption at full load: 13.9 gal/hr (52.7 L/hr)  
 Operating Range: 8.5 Hours  
 Heavy Duty Silencer: Standard

### HYDRAULIC SYSTEM

Type: Pressure and flow compensation (Load Sensing)  
 Pump Flow Maximum: 43 GPM (163 L/min.)  
 Pressure Setting: 2500 PSI (172 Bar)  
 Oil Tank Capacity: 80 Gal (303 L)  
 Oil Type: Texaco Code 1855 Type "F" or approved equivalent

### CRAWLER DRIVE

Dual path, two speed hydraulic drive, planetary transmission capable of full counter rotation, single lever steering, single lever direction.  
 Infinitely Variable Speed: Forward and Reverse  
 High Range: 0-3.3 MPH (0-5.3 kph.)  
 Low Range: 0-1.2 MPH (0-1.9 kph.)  
 Integral Parking and Service Brake: Spring applied, hydraulic release, wet disc brake.

### CONVEYOR DRIVE

Pressure and flow compensated pump with dual hydraulic drive motors.  
 Description: Reversible and Shiftable  
 Belt Speed: Infinitely variable 0-750 FPM (0-228M/MIN.)  
 Conveyor Belt Width: 20" (51 cm)  
 Conveyor Length: 98" (249 cm)  
 Discharge Height: 40" (102 cm)  
 Discharge Direction: Right or left

### TRACKS

Length: 111" (282 cm)  
 Track Pad Type: single or triple grouser  
 Track Quantity: 43 per side  
 Track Pad Width: 20" (51 cm)  
 O.A. Width: 85" (216 cm)  
 Track Chain Type: Caterpillar D4  
 Track Chain Pitch: 6.750" (17 cm)  
 Options: 18" (46 cm) Rubber/Polyurethane track pads, 22" (56 cm) single or triple

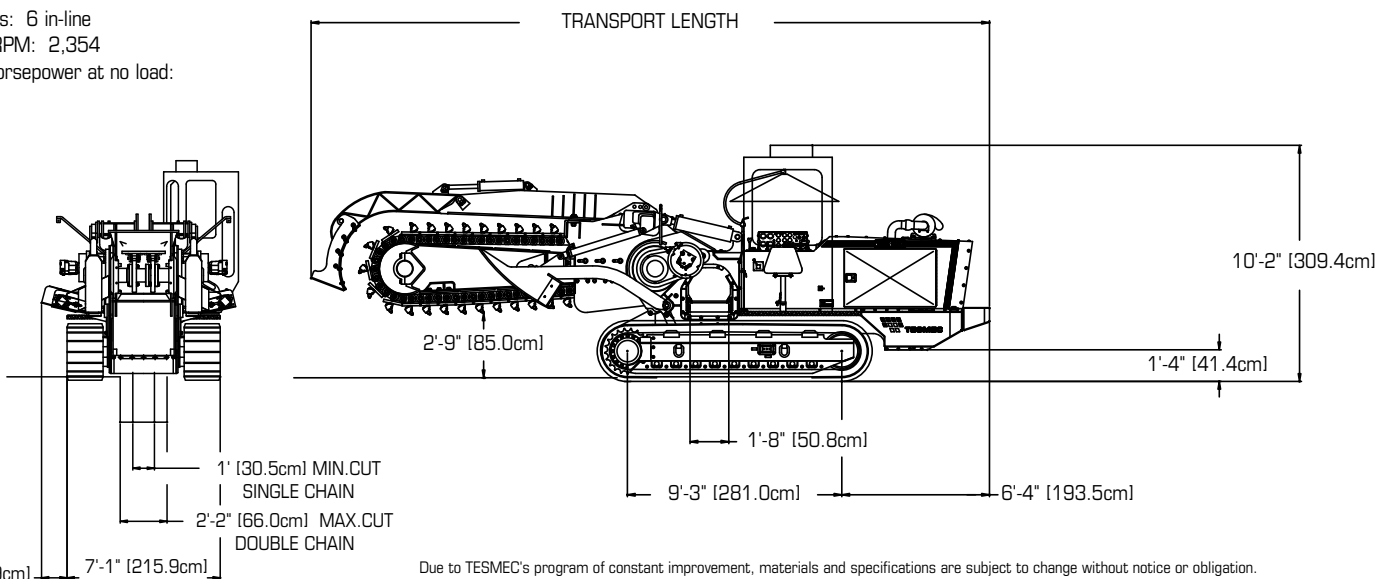
### TRENCHER DRIVE (CHAINSAW)

Hydrostatic: One pump and two motors capable of transmitting full engine horsepower  
 Infinitely Variable Digging Chain Speeds:  
 High Ratio: 0-700 FPM (0-213 m/min)  
 Low Ratio: 0- 500 FPM (0-152 m/min)  
 Depths: 4, 5, 6, and 8 ft (122, 152, 183, and 244 cm)  
 Widths: 12" - 18" (30 - 46 cm) single chain  
 24" - 26" (61 - 66cm) double chain  
 Digging Chain: 4-1/2" (11.4 cm) pitch  
 ACA Certified Digging Chain Tensile Strength:  
 Single Chain: 339,420 lbs. (153,958 kg)  
 Double Chain: 678,840 lbs. (307,916 kg)  
 Cutters: Rotary carbide tipped 1" (2.54 cm) shank diameter  
 Optional: 1-1/2" (3.8 cm) shank diameter  
 Optional: Single edge, hard surfaced cup cutters  
 Optional: Boom Roller for Single or Double Booms

### OPTIONS

Options: Crumbshoe, Coulter Wheel, Side Mounted Truck Conveyor, Water Spray System, Split or Non-split Cab with heat and a/c, Laser System for Depth, and Cold Weather Package for Arctic Temperatures

\* Caterpillar is a trademark of Caterpillar Inc.  
 \* Cummins is a trademark of Cummins Engine Inc.



Due to TESMEC's program of constant improvement, materials and specifications are subject to change without notice or obligation.